



100 Sterling Mine Rd
Sloatsburg, NY 10974
Ph:(845) 357-5718
www.apexcanopies.com

ARCHITECTURAL CANOPY (HANGER RODS)

PRODUCT SPECIFICATIONS

ARCHITECTURAL CANOPY PLAN VIEW

Scale: 1" = 1'



100 Sterling Mine Rd
Sloatsburg, NY 10974
Ph:(845) 357-5718
www.apexcanopies.com

Project # :

-

Project name :

ARCHITECTURAL
CANOPY (HANGER RODS)

Title:

ARCHITECTURAL CANOPY

DWG by: CD

Date: 13/02/2024

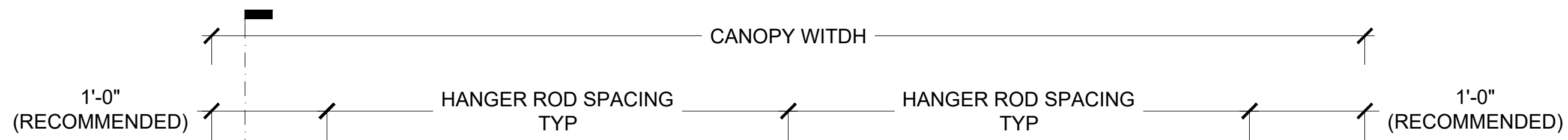
CHK by:

Date:

REVISIONS

REV#	DATE	DET BY	CHK BY

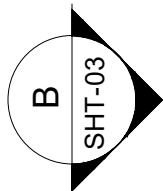
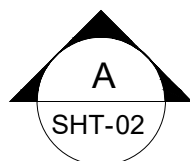
NOTES



3"SQ. DOWNSPOUT

CANOPY PROJECTION
(5'-0" MAX
RECOMMENDED)

FRONT OF FASCIA TO
CLIP CHANNEL



2" X 2" X 1/4" 6061-T6
ALUMINUM BAR

3" X 6" X 0.065" 6063-T6
SELF MATING ROOF PAN(FLAT FINISH)

4" X 8" X 3" X 0.125 6063-T6
GUTTER FASCIA

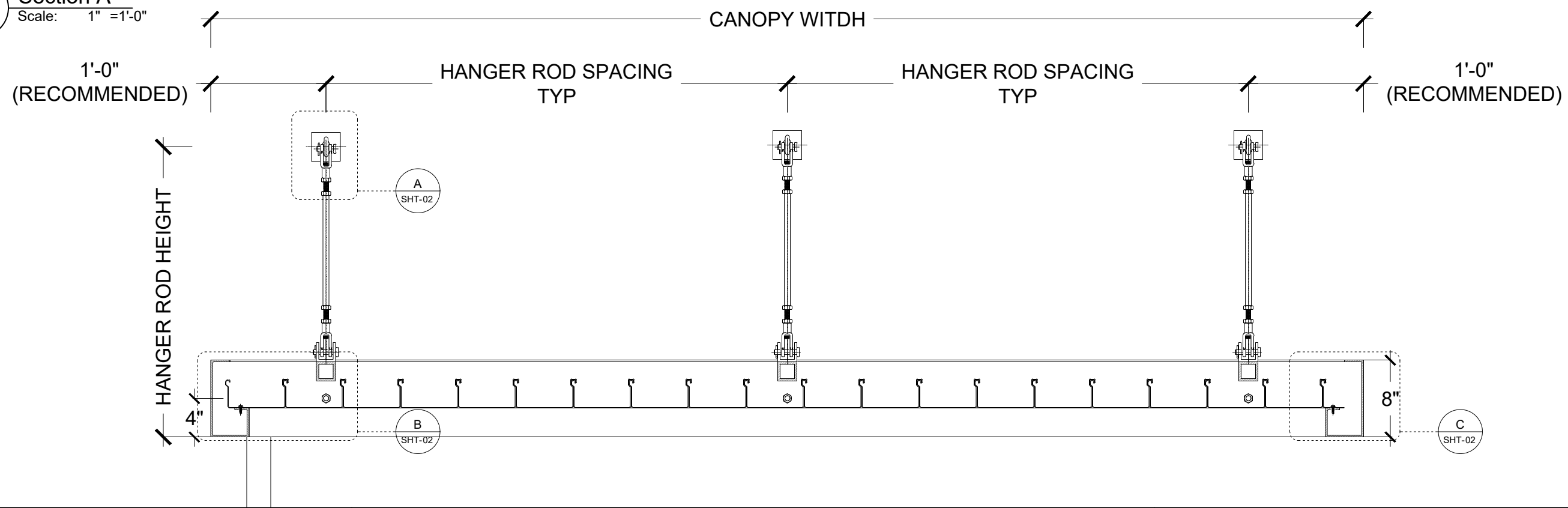
SCALE:

As noted

SHEET

01 of 03

Section A
Scale: 1" = 1'-0"



100 Sterling Mine Rd
Sloatsburg, NY 10974
Ph: (845) 357-5718
www.apexcanopies.com

Project # :
-

Project name :
ARCHITECTURAL
CANOPY (HANGER RODS)

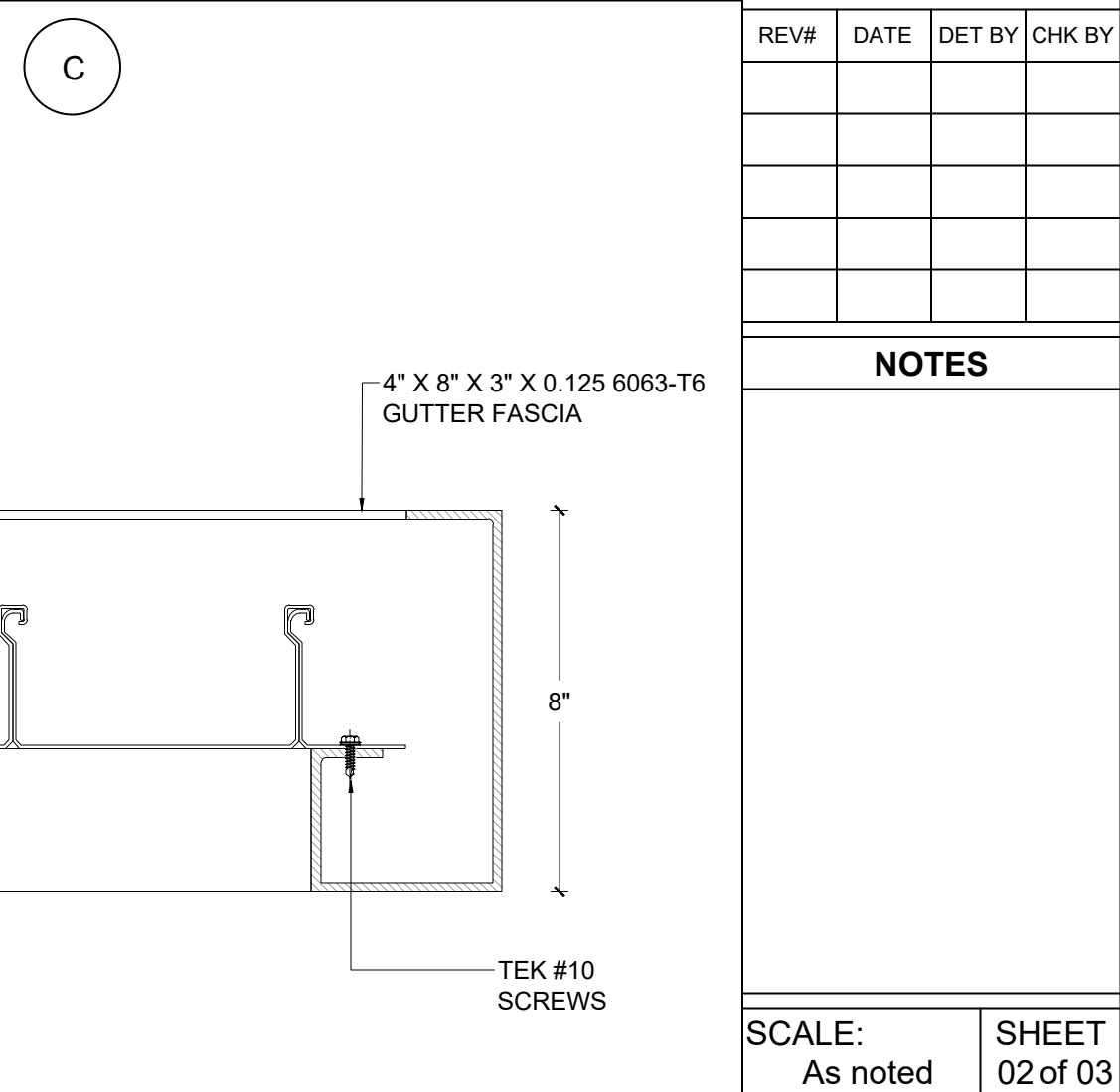
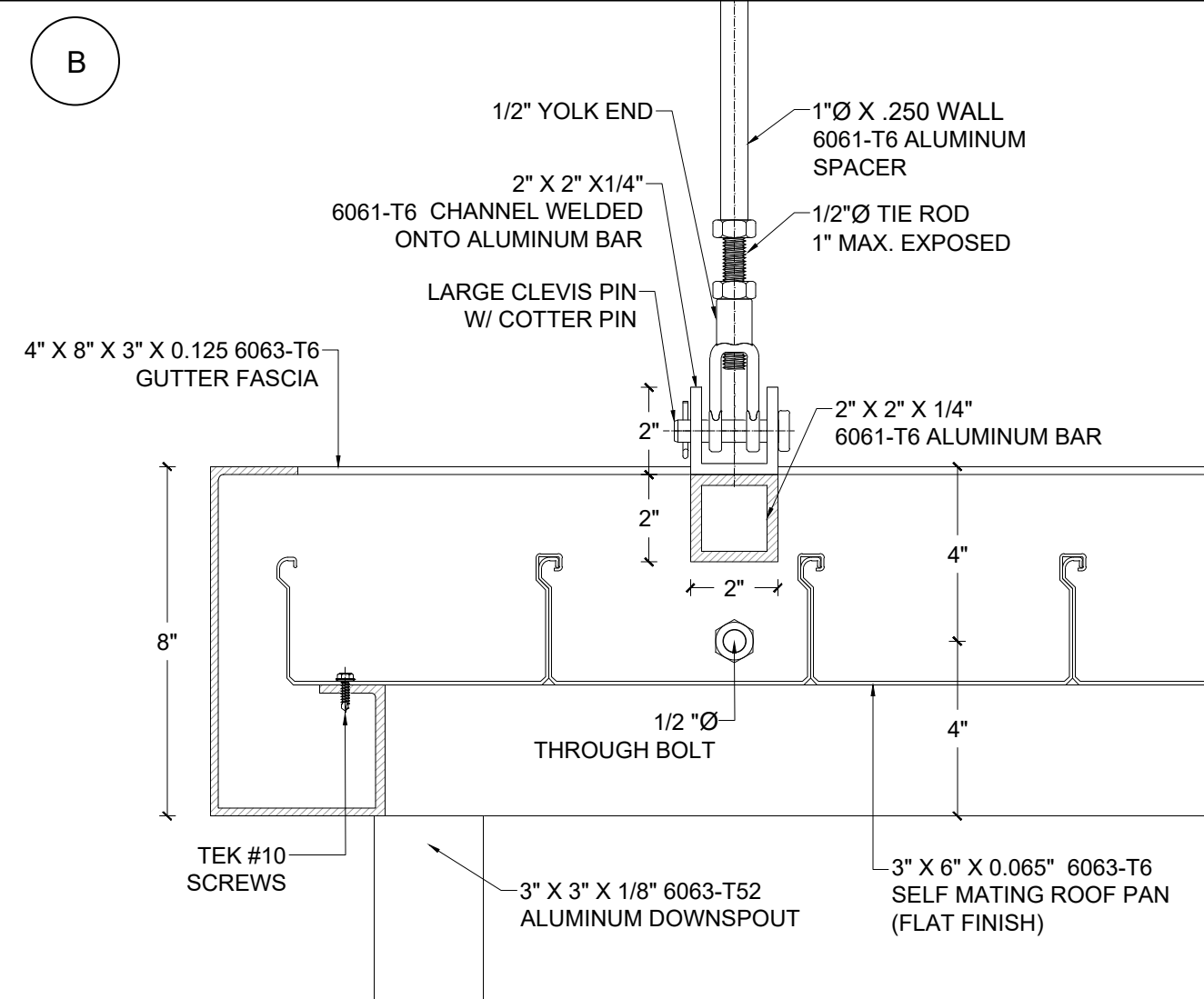
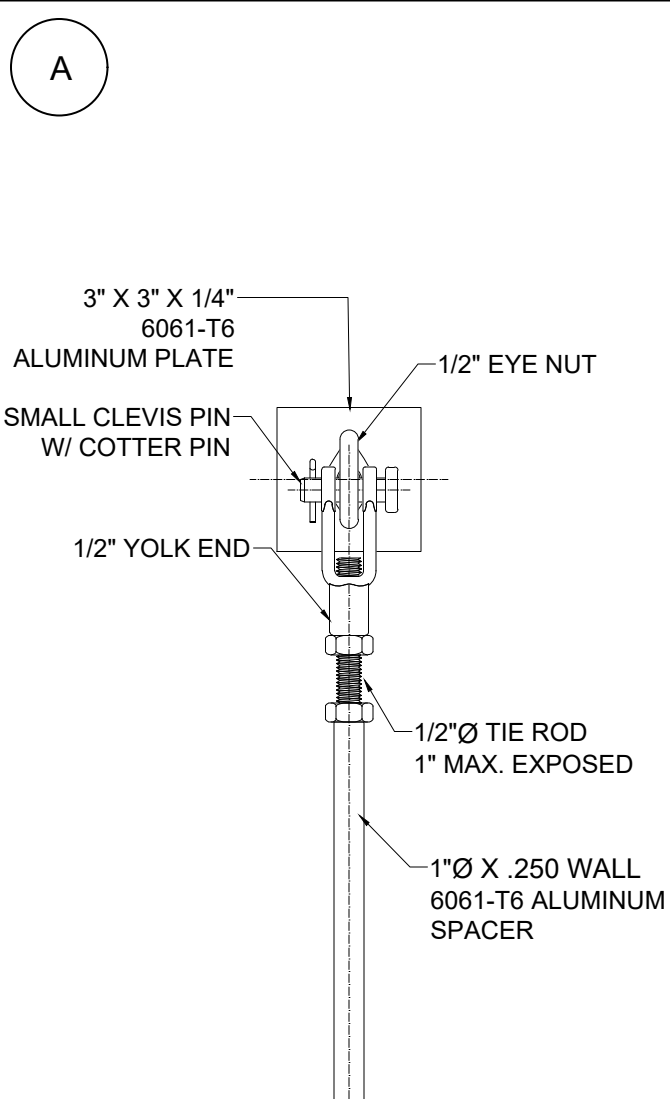
Title:
C1-SECTION DETAILS 1

DWG by: CD Date: 13/02/2024
CHK by: Date:

REVISIONS

REV#	DATE	DET BY	CHK BY

NOTES



SCALE: As noted SHEET 02 of 03

B

Section B
Scale: 1 1/2" = 1'-0"



100 Sterling Mine Rd
Sloatsburg, NY 10974
Ph: (845) 357-5718
www.apexcanopies.com

ADDITIONAL BLOCKING AT
CANOPY CONNECTIONS IF
REQUIRED, TO BE PROVIDED
BY OTHERS

1/2" Ø
THROUGH BOLT
6" X 6" X 3/8"
STEEL PLATE

3" X 3" X 1/4"
6061-T6 ALUMINUM PLATE

1/2" EYE NUT
1/2" YOLK END
1/2" Ø TIE ROD
1" MAX. EXPOSED

1" Ø X .250 WALL
6061-T6 ALUMINUM SPACER

HANGER ROD HEIGHT

TEK #10 SCREWS
4" X 8" X 3" X 0.125 6063-T6
GUTTER FASCIA
2" X 2" X 1/4"
6061-T6 ALUMINUM BAR
TEK #10 SCREWS

45°
(RECOMMENDED)

1/2" YOLK END
2" X 2" X 1/4"
6061-T6 CHANNEL WELDED
ONTO ALUMINUM BAR
LARGE CLEVIS PIN
W/ COTTER PIN

TEK #10
SCREWS

6" X 6" X 3/8"
STEEL PLATE
1/2" Ø
THROUGH BOLT

3" X 3" X 1/8" 6063-T52
ALUMINUM DOWNSPOUT

4" X 8" X 3" X 0.125 6063-T6
GUTTER FASCIA
TEK #10 SCREWS
3" X 6" X 0.065" 6063-T6
SELF MATING ROOF PAN
(FLAT FINISH)

CANOPY PROJECTION
(5'-0" MAX RECOMMENDED)

Project # :

Project name :
ARCHITECTURAL
CANOPY (HANGER RODS)

Title:
C1-SECTION DETAILS 2

DWG by: CD Date: 13/02/2024
CHK by: Date:

REVISIONS

REV#	DATE	DET BY	CHK BY

NOTES

SCALE:
As noted SHEET
03 of 03